

Jonathan Green Product Spreader Settings

Caution: These are approximate settings and are intended as a guide only. Variations in materials, walking speed, terrain, weather conditions, age and condition of spreader, etc. can affect setting. If unsure, start at a lower setting and increase if necessary. Always calibrate your spreader before using. Assume an approximate ten foot spread width.

GRASS SEEDS	OVERSEEDING	NEW LAWNS	ORGANICS	
Black Beauty Original	8	Apply a	Organic Lawn Food	5
Black Beauty Ultra	7-1/2	second	Corn Gluten Weed Preventer	6
Blue Panther	3-1/2		Organic Insect Control	3
Dense Shade	8	time to the	LAWN FOODS	
Fall Magic	7	same area	Green-Up with Crabgrass Preventer	5-1/2
Fast Grow	8		Green-Up Weed & Feed	3-1/2
Heavy Traffic	7	using the	Summer Survival Lawn Food	6
Shady Nooks	7-1/2	rates listed	Winter Survival Fall Lawn Food	5
Solargreen	7-1/2		Crabgrass Preventer plus New Seeding	4-1/2
Sun & Shade	6-1/2	on left.	Green-Up Lawn Food	6-1/2
Sunny	7	←	Green-Up Lawn Food for Seeding and Sodding	5-1/2
Touch-Up	7		Winter Survival Weed & Feed	3-1/2
SOIL FOODS			LAWN CONTROLS	
Love Your Soil		4-1/2	Season-Long Weed Preventer	3-1/2
MAG-I-CAL - Acidic (silver)		5	Grub & Insect Control	3
MAG-I-CAL Plus - Acidic (black)		5	Lawn Fungus Control	3
MAG-I-CAL Plus - Alkaline (purple)		5	Lawn Moss Control	3
			Lawn Weed Control	4-1/2



THE NEW AMERICAN LAWN STANDARD ROTARY SPREADER

Instruction Manual



www.jonathangreen.com

Read the instructions and precautions before using this spreader.

Spreader holds up to 10,000 sq. ft. of most products.

Do not discard - contains spreader settings.



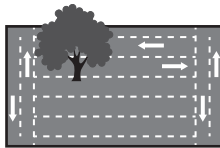
Review product package for other details or spreader rates.

Settings for other brands are on package or go to www.jonathangreen.com

USAGE TIPS

For rectangular lawns

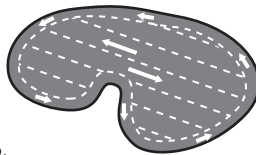
Apply two header strips across each end for a turning area. Then apply back and forth in the longest direction.



- Do not leave spreader open when making turns.
- For best results, do not apply on a windy day.
- Swath will vary due to conditions. (see above caution)
- To determine how much coverage you need, multiply the length of your lawn by its width. This equals your total square footage. Deduct any non-lawn areas (house, gardens, walkways, etc.).

For irregular-shaped lawns

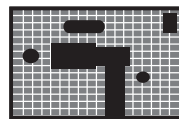
Apply a header strip around the entire lawn for a turning area, then apply back and forth.



Note:

Each pass should be within 5 feet of each other to ensure an overlap.

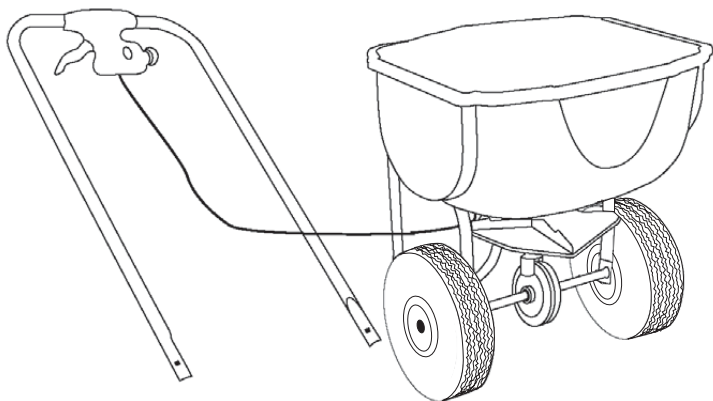
- _____ Length (Feet)
- X** _____ Width (Feet)
- =** _____ Total Square Feet
- _____ Non-Lawn Areas (Feet)
- =** _____ Total Square Feet coverage you need



Keep lawn products out of reach of children. Do not apply near water, storm drains, or drainage ditches. Do not apply if heavy rain is expected. Apply only to your lawn or garden and sweep any product that lands on the driveway, sidewalk or street back onto your lawn or garden. Also, sweep product off concrete surfaces to avoid staining.

SPREADER PARTS AND HARDWARE

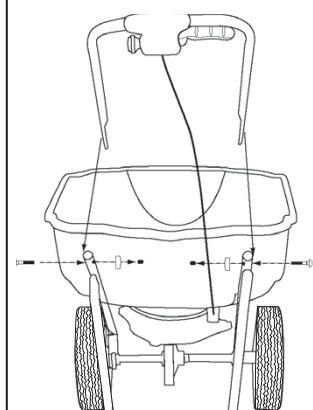
KEY	DESCRIPTION	QUANTITY
A	Handle with Broadcast Adjuster(Hardware Included)	1
B	Spreader Assembly	1



Spreader Assembly

- (See Figure 1)
Remove protective packing materials from handle and spreader assembly.
- Remove pre-installed hardware from spreader handle.
- Raise the top of the handle with adjuster to the position, align holes in handle with spreader assembly and secure with carriage bolts and nuts provided.
- Place protective caps over exposed threads on bolt.

Figure 1



Note:
Hardware included
with spreader handle.

Carriage
Bolt



Nut



Protective
Cover



WARNING

This product can expose you to chemicals including lead and lead compounds which are known to the State of California to cause cancer and birth defects or other reproductive harm. For more information, go to www.P65Warnings.ca.gov

Calibration Adjustments

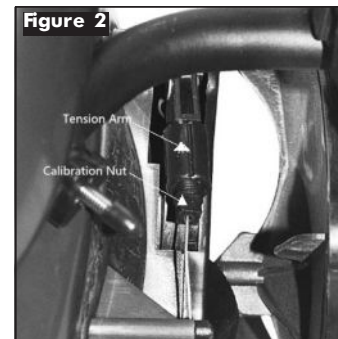
- (See Figure 2) Place spreader on side with control lever facing upward.
- Set spreader to number 5 and hold control lever against handle. The shut off plates inside the hopper should be half open.
- To adjust alignment, turn the calibration nut until flush with tension arm.

Calibration nut should fit snug against tension arm.

Spreader Settings (see back page for product spreader settings)

- Always check spreader rate settings before you start. Some products applied at a rate above the manufacturers recommendations can cause damage to your lawn.
- To manually calculate the proper setting number, pre-weigh the amount of product recommended by the manufacturer for 1,000 sq.ft. Put the pre-weighed product in the hopper. Select a low setting on the controller; begin spreading the material on a pre-marked 1,000 sq. ft. area. After covering the pre-marked area, estimate the amount of material remaining and adjust the controller setting accordingly. The proper setting is achieved when the hopper runs out at the end of the area to be covered.

Figure 2



Controller Use

- (See Figure 3) Using adjustment knob, align desired setting with pointer inside window.

Spreader setting 1.... Lowest flow rate
Spreader setting 10.... highest flow rate

- While pushing the spreader forward, pull the control level back to the open position.



CAUTION:

Some fertilizers may burn your lawn if over applied. Do not operate the spreader backwards or stop forward motion of spreader while control lever is in the open position.

- To stop, release the control lever while still pushing the spreader forward.

Application Tips

- Walk at a steady brisk walking speed, approximately 4 feet per second.
- Do not leave spreader open while making turns.
- Partially overlap each "pass" to avoid missing areas of your lawn. Usually an overlap of approximately 1 foot will eliminate this problem.

For best results do not apply on a windy day.

Maintenance

- Remove unused product from the hopper after use and put in original container sealed tightly.
- Clean the spreader thoroughly with soap and water after each use. Fertilizer or other material left in the hopper, control valve, spinner plate and other components cause poor spreader performance.
- Allow spreader to dry before storage and store in a clean, dry place. Spray lubricant on moving parts after spreader dries. Tighten bolts and inflate tires as needed after each use.
- Transmission is factory lubricated and requires no maintenance.

Figure 3

